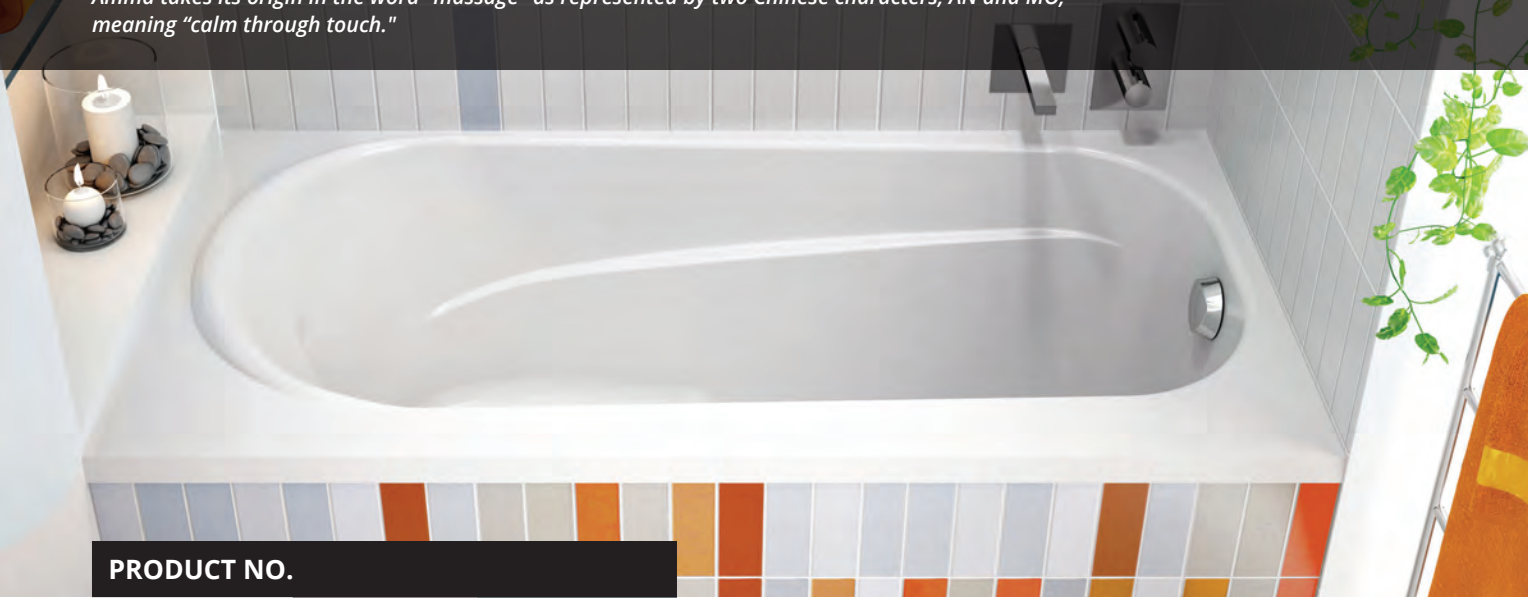


# AMMA 6032

60" x 32" x 21"

Amma takes its origin in the word "massage" as represented by two Chinese characters, AN and MO, meaning "calm through touch."



## PRODUCT NO.

MODEL	TMU	TUB
	BAMDRB00T-XX	BAMDRB00N-XX

THERMOMASSEUR (TMU) Hydro-thermo massage • Air jet system	\$6,545
Jets	45
1 heated backrest & headrest	Included
MiaPlus® Control	Included
BU-Touch Control Application BUTOUCH	\$430
Geysair®	Included
AromaCloud** BAROMAC	\$490
AromaFlow*** BAROMAF <b>NEW</b>	\$950
Illuzio Chromatherapy BCHRO6	\$925

TUB Soaker	\$4,055
AromaCloud** BAROMAC	\$490
AromaFlow*** BAROMAF <b>NEW</b>	\$950
Illuzio Chromatherapy BCHRO6	\$925
WarmTouchShell® BWTS	\$1,125
DOT control	Included with therapy

## FEATURES

Installation type	Drop-in & Alcove (3 walls)		
No. of bathers	↓	Raised seat	1
US gallons	46	Inverted V	1
Imp. gallons	39		

## STANDARD COLOR

		Included
White 01	Biscuit 02	

## OPTIONS (UPCHARGE APPLICABLE)

SKIRT	MULTIFIT BSMUL-XX	SJ-1 BSJ1-XX
White 01, Biscuit 02	\$600	\$715
<b>TILE FLANGE</b> (specify right or left)		
Ordered with bath (not installed) BTILEN		\$79
Factory-installed. Right BTILER, Left BTILEL, Special installation BTILEO		\$155
<b>WASTE &amp; OVERFLOW</b>		<b>16" x 35" BOVER16-XX</b>
Chrome 07	\$260	\$235
White 01, Biscuit 02	\$290	\$235
Brushed Nickel 09, Polished Nickel 10	\$400	\$235
Oil-rubbed Bronze 11	\$400	N/A
Matte Black 19, Satin Brass 18	N/A	\$355
<b>IF REQUIRED BY CONSTRUCTION CODE</b>		
Brass waste & overflow kit** BDRCOB		\$240
Brass waste kit** BDRCB		\$60
16" x 35" Cable driven brass waste & overflow kit BOVERBR		\$240



\* The AromaCloud® is built into the deck (factory installed).

\*\* When ordered with integrated waste & overflow.

\*\*\* When ordering an AromaFlow, an Integrated waste & overflow is mandatory (Upcharge). Specify the finish of the waste.



**AMMA 6032**



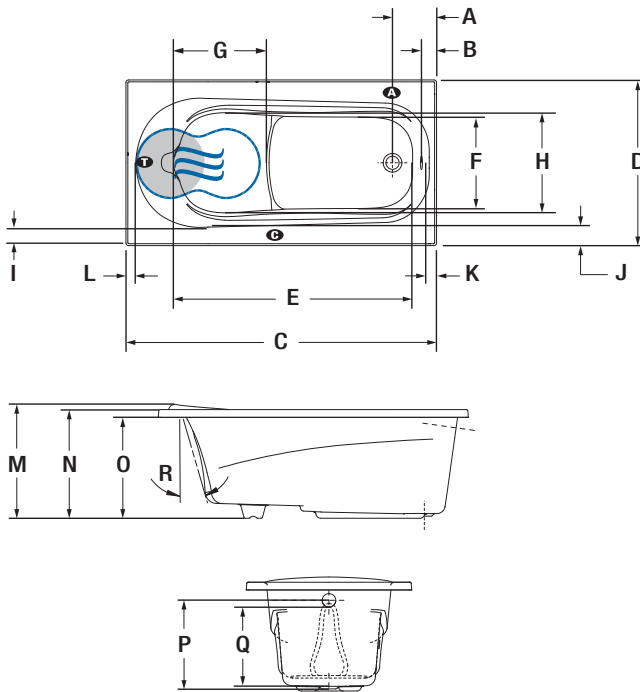
Molded heated headrest



Inverted V backrest

**INSTALLATION**

**A** When tile flange is added, the AromaCloud® will automatically be installed on the opposite side of the flange.



LETTER	DESCRIPTION	MEASURE
A	Outside edge to center drain	8 1/2"
B	Outside edge to overflow	2 1/2"
C	Total length	60"
D	Total width	32"
E	Bathing well length	46 1/4"
F	Bathing well width at center zone	17 1/2"
G	Raised seat length	18"
H	Raised seat width	19 3/8"
I	Deck width (narrowest point)	3 1/8"
J	Deck width (widest point)	3 7/8"
K	Deck width at drain end	2"
L	Deck width at backrest end	1 7/8"
M	Total height to headrest	22"
N	Height from bottom of bath to top deck	21"
O	Height from bottom of bath to bottom of deck	19 1/2"
P	Height from bottom of drain to center of overflow	17 1/16"
Q	Maximum water level (Waste & overflow 16" x 35") Maximum water level (Integrated waste & overflow) Maximum water level with AromaFlow	15 5/16" 16 5/16" 15 1/16"
R	Slope of backrest	16°

- A** AromaCloud® position
- G** Control position when factory-installed (Mia® or DOT)
- T** Turbine position (TMU)
- Indicates heated backrest (TMU)
- ☄ Indicates WarmTouchShell® position (TUB)

**TECHNICAL SPECIFICATIONS**

<b>Hot water supply required</b>	The hot water supply should be 70% or more of the bath's total water capacity.
<b>Turbine</b>	Access to the pump must be at least 18" x 22". <b>Standard connection is 20 A, 120 V, 60 Hz</b> , dedicated line with a Ground-Fault Circuit Interrupter (GFCI). <b>For any additional option, a second line is needed 15 A, 120 V, 60 Hz</b> , dedicated line with a GFCI. Air vent necessary: 2" x 4" minimum.
<b>Others</b>	- The Geysair® is located on the same side as the heated backrest. It must <b>NOT be relocated</b> . It must be <b>connected to the hot water supply</b> and be accessible (provide access). - Optional tile flange (specify right or left). - The water level will be lower when an AromaFlow is installed.

Our products must be installed by certified professionals only and according to our Owner's Manual as well as federal, provincial/state and local building codes and regulations ([www.bainultra.com/dealers/dealer-documentation-and-catalog](http://www.bainultra.com/dealers/dealer-documentation-and-catalog)).

<b>Approx. shipping weight</b>	138 lb
<b>Turbine power</b>	550 W
<b>Air heater</b>	600 W
<b>WARRANTY</b>	
Controls-LED-Geysair*	5 years
Bath & turbine*	20 years

\*Some restrictions apply | [www.bainultra.com/warranty](http://www.bainultra.com/warranty)

The specifications shown indicate the outer edge dimension and the inside bathing capacity dimension measured at air jets' height. The manufacturer accepts a 1/4" [0.64 cm] variance. There are variations on each product and specifications are subject to change as we improve upon our product as required. The dimensions needed for site preparation and structure building will differ. BainUltra® assumes no responsibility for preparatory work done prior to the product being on site.